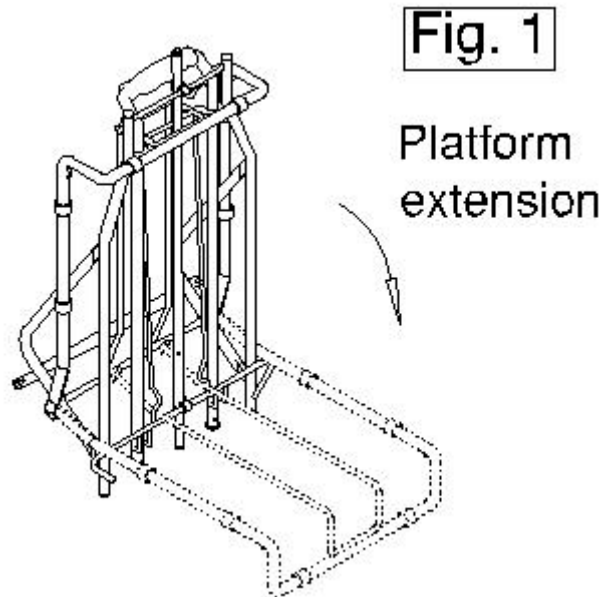
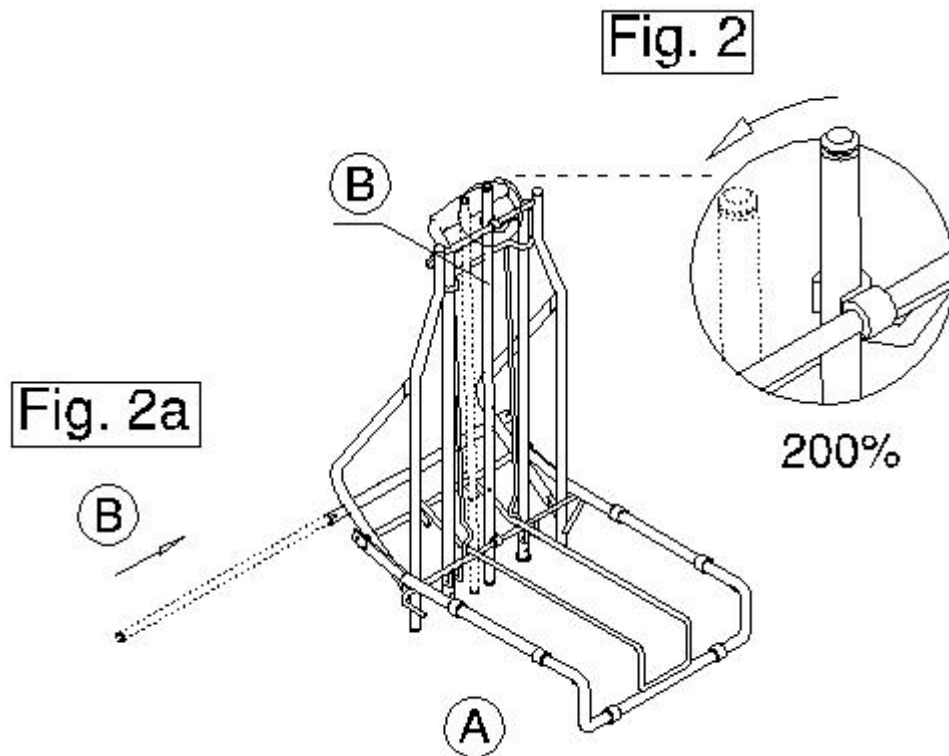


BEACH CART FOLDING – ASSEMBLY

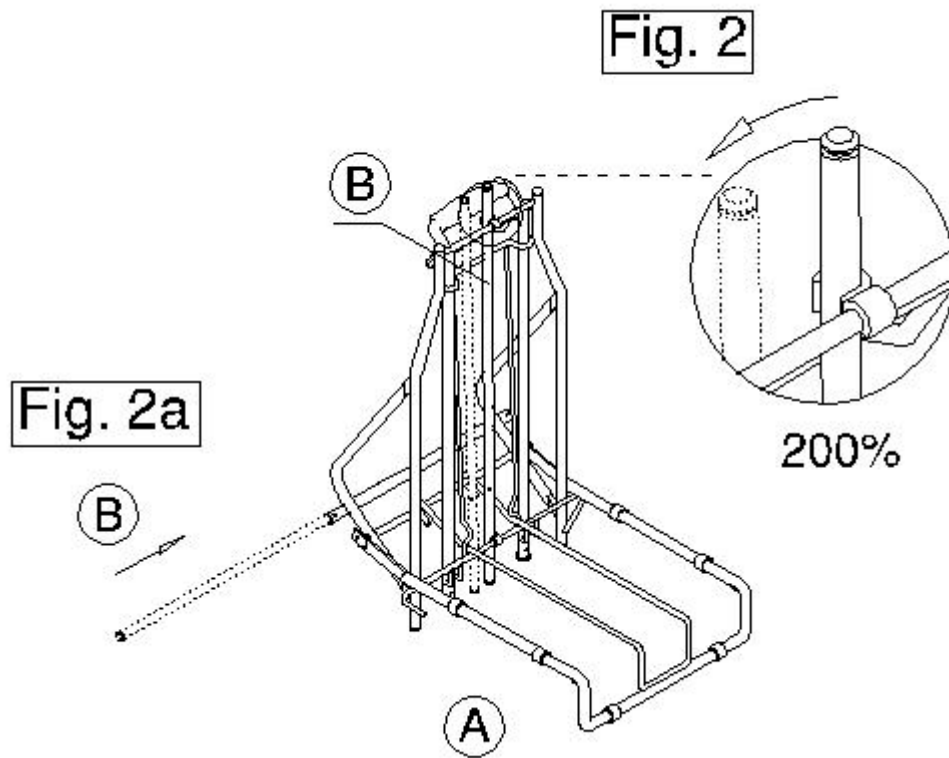
1. Loosen all straps and set wheels aside. DO NOT REMOVE black twist knobs from hubs.
2. Hold frame in vertical position and fold down platform.



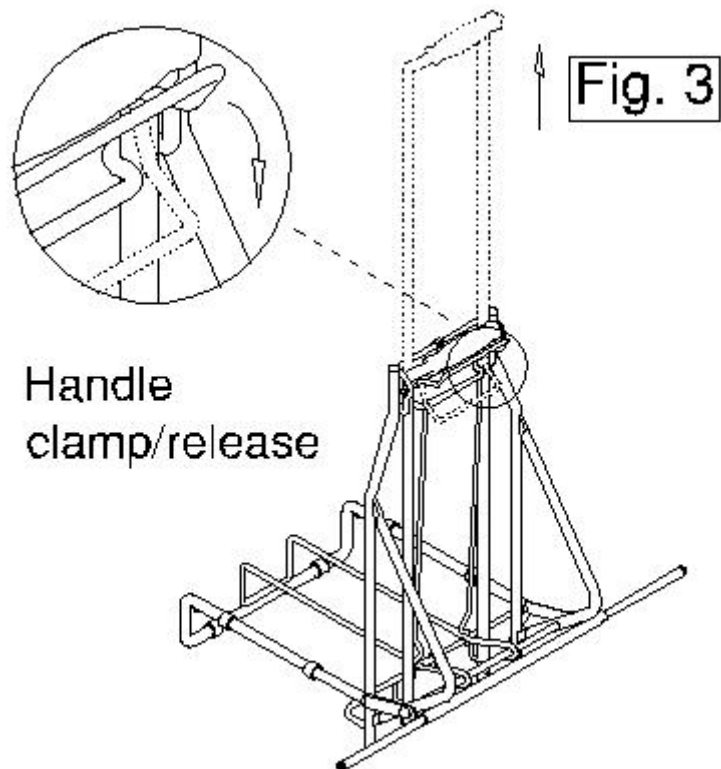
3. Remove axle from black clips on frame. (Cut cable ties.)



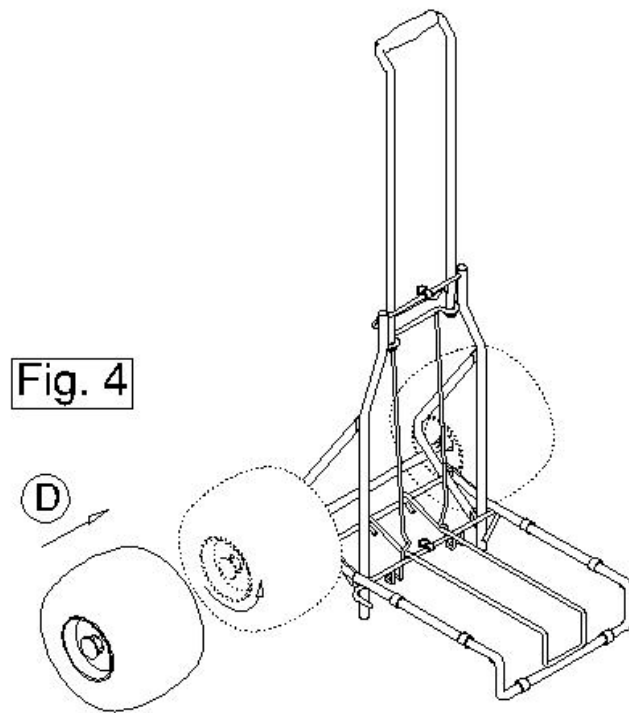
4. Slide axle with crimp notch into grooved axle housing.



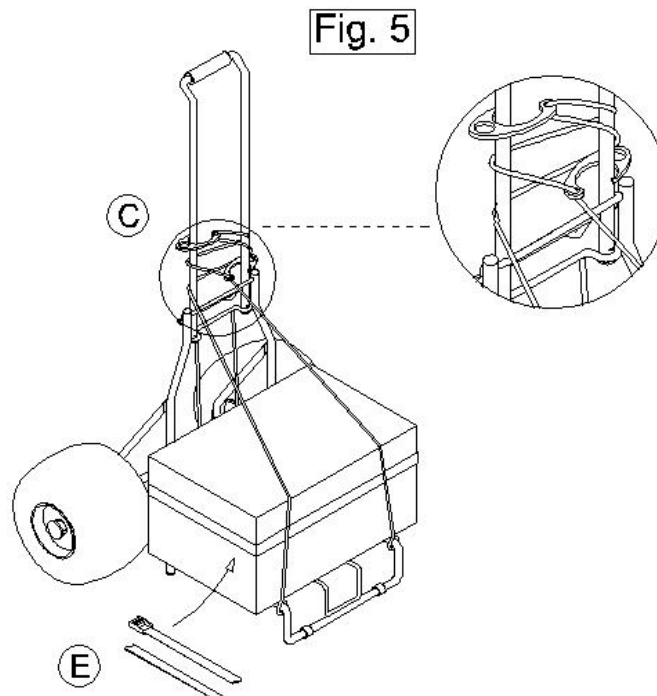
5. Raise telescoping handle. Push handle clamp down to lock. <<see diagram>>



6. Slide wheels onto axle until they click in place.



7. Secure gear with lashing straps as shown



8. Reverse process to disassemble.

Important: Twist black knob on wheel hub only 1/4 turn to remove wheels.

Maintenance Tip: To prevent rusting, rinse all parts with fresh water and dry.